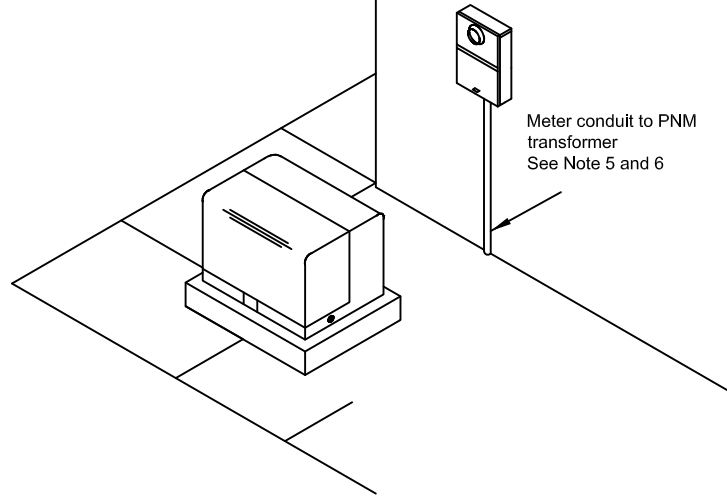
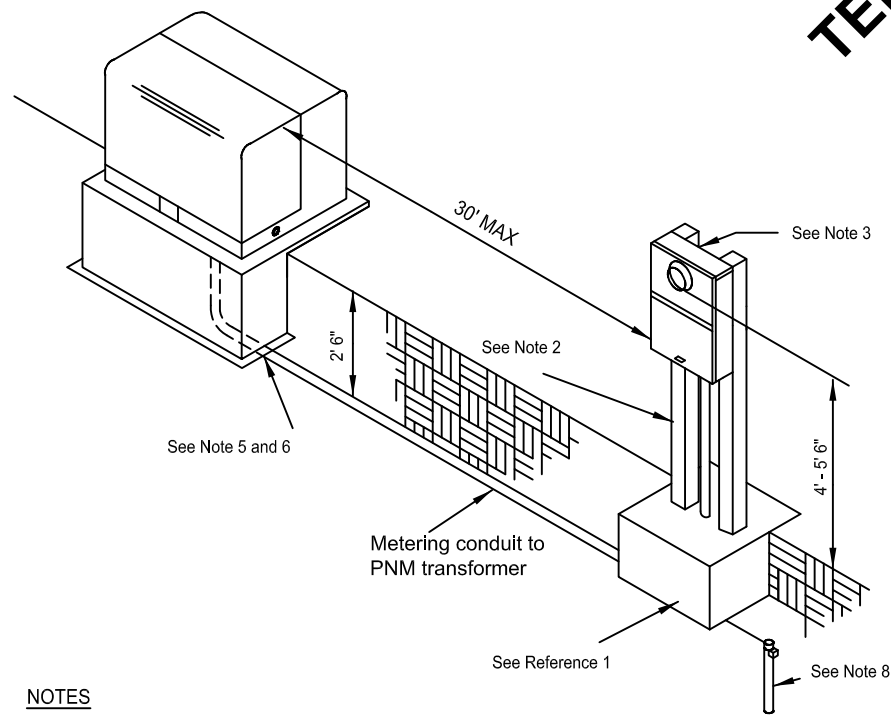


A



B



**NO  
TEMPORARY  
SERVICE**

NOTES

- (1) For use on dedicated transformer installations only. This applies to 100 and 167 kVA single-phase transformers only.
- (2) Acceptable support members are as follows:  
 3" x 3" 1/2" angle  
 3" x 4.1 lbs/ft channel  
 2" x 2" 3/16" box steel  
 2 1/2" standard pipe  
 P1001 unistrut
- (3) Equipment shall be securely attached to support members either bolted directly or mounted to metal channel or unistrut cross members.
- (4) Contact PNM new customer service representative to assure proper location.
- (5) The conduit must be 1" rigid galvanized.
- (6) Conduit must be buried a minimum 24" and stubbed into transformer secondary compartment. Arrangement with PNM is necessary to open transformer.
- (7) Caution: 2' 6" depth should not be exceeded because of power and telephone cables below.
- (8) Minimum #6 cu ground wire. Connector and rod per NEC article 250. A separate copper grounding electrode conductor sized in accordance with NEC table 250-94 must be provided for connection to PNM's transformer.

REFERENCES

- (1) See MS-2-6.5 Single-Phase Six-Terminal Socket for CT Meter
- (2) See MS-5-3.0 Single-Phase or Three-Phase Pedestal Meter

**Maintenance  
Only**