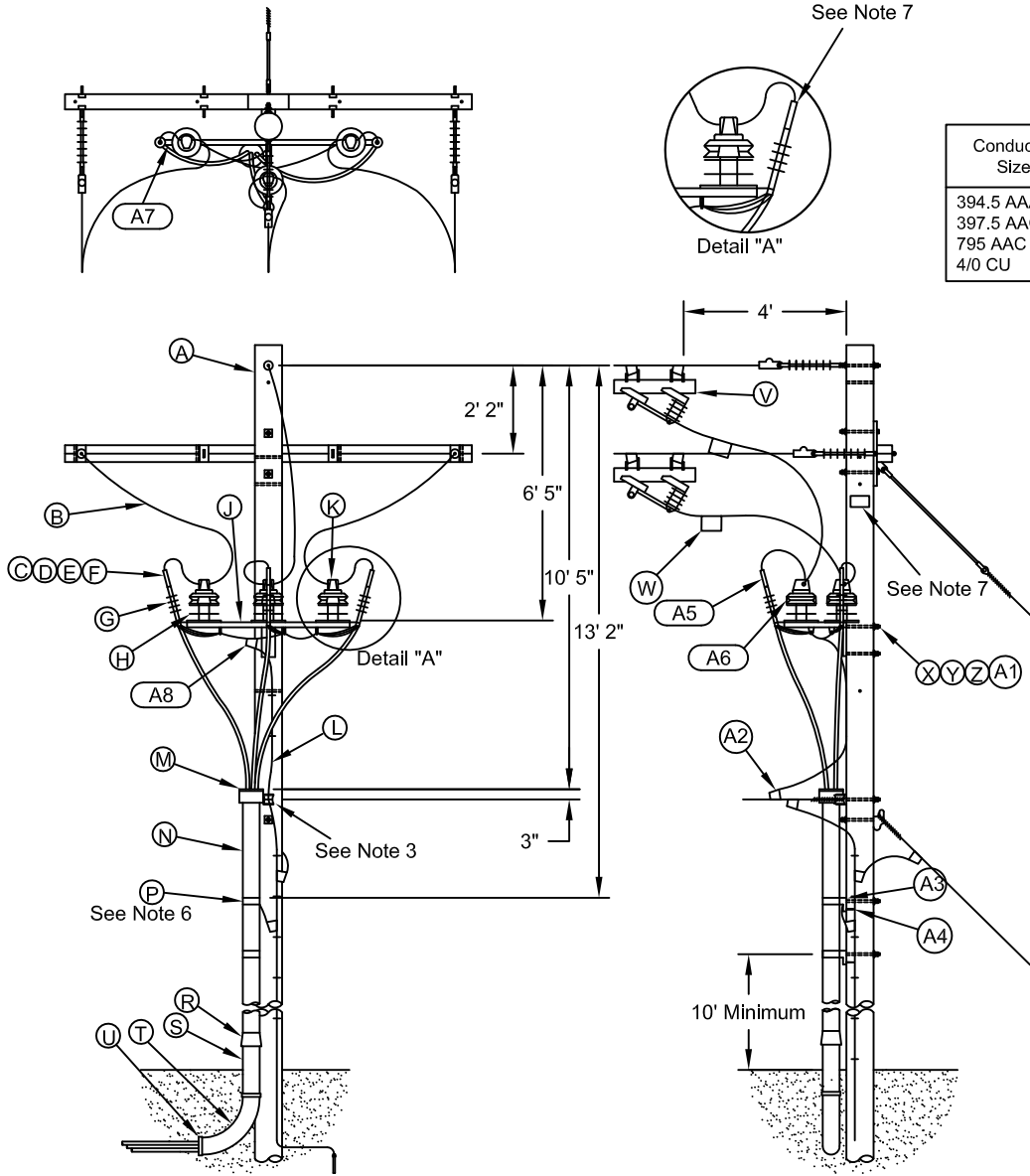


DISTRIBUTION
STANDARD
PNM



Conductor Size	AMP Tap (Item A2)	Stock #
394.5 AAC	1-602631-5	5935-234947
397.5 AAC	1-602031-3	5935-235753
795 AAC	602121-5	5935-237817
4/0 CU	1-602031-6	5935-234905

NOTES

- (1) Bucket access required for construction and maintenance.
- (2) Covered wire must be treated as a bare energized conductor.
- (3) Lowered neutral location required to permit cable training space.
- (4) Drawing assumes direct jacketed concentric neutral cable. Use Metal tape shielded cable requires use of kellems grips for cable jacket support.
- (5) Preferred riser location to be within 90° of system neutral.
- (6) Pothead bracket and top conduit standoff bracket must be grounded.
- (7) Apply 3 wraps minimum of 33+ tape to terminator compression fitting.
- (8) Switch number mounted on street side of pole.
- (9) Ground wire assembly to be 4/0 CU stranded bare wire from arresters to neutral and #4 CU stranded covered wire from neutral to ground rod.
- (9) 4/0 or larger cables require use of 4" conduit ventilator (5975-258186) and 4" nipple (5975-274787). Ventilator to be located 1' above grade.
- (10) Ground wire to clear other hardware by 3" minimum.
- (11) Field drilled holes and cut surfaces shall be preserved with wood sealing compound (8030-000965).
- (12) 15' minimum easement required.

REFERENCES

- (1) See DM-16-8.0 Ampacity of 15 kV Underground Cable Three-Phase Single Circuit
- (2) See DS-18-13.0 Universal Support Bracket
- (3) See DS-18-24.0 Connector Lug Terminations
- (4) See Section 18 for Individual Details

Material List

	Quan.	Description	Stock #
A	1	Heavy Duty Deadend on 10' Crossarm	DS-19-5.0
B		500 CU Stranded Covered Wire	6145-002447
C	6	500 Compression Terminal	5940-240418
D	12	1/2" x 2" Steel Bolt	5306-148437
E	24	Steel Flat Washer	5310-156798
F	12	Belleville Washer	5310-161061
G	3	750 MCM 15 kV Terminator	5975-264689
H	3	9 kV Intermediate Arrester	5920-226809
J	1	Large Pothead Bracket	5975-263475
K	3	Intermediate Class Arrester Cover	0000-005231
L		4/0 CU Stranded Bare Wire	6145-002470
M	1	5" Cable Support	5975-264671
N		5" Galvanized Conduit	5975-259655
P	2	5" Pipe Strap Kit	5975-259408
R	1	Ventilating Conduit Support	5975-257923
S	1	5" x 30" Galvanized Elbow	5975-262006
T	1	90° 5" Galvanized Elbow	5975-262261
U	1	Nylon Cable Protector	5975-259317
V	3	Riser Disconnect Switch	6610-297683
W	3	Fault Indicator	6625-004004
X	4	5/8" x ___ Machine Bolt	DS-18-25.0
Y	4	2 1/4" Square Washer	5310-153571
Z	4	5/8" Double Coil Spring Washer	5310-163034
A1	4	5/8" MF Locknut	5310-153506
A2	9	___ Line Tap	DS-18-99.0
A3	2	Standoff Bracket	5975-260471
A4	2	1/2" x 4" Lag Screw	5305-147794
A5		Self-Augmenting High Fusion Tape	0100-004225
A6	3	Wildlife Cover	5975-274779
A7	3	Mounting Bracket Cover	0000-005192
A8	3	___ Line Cover	5935-235