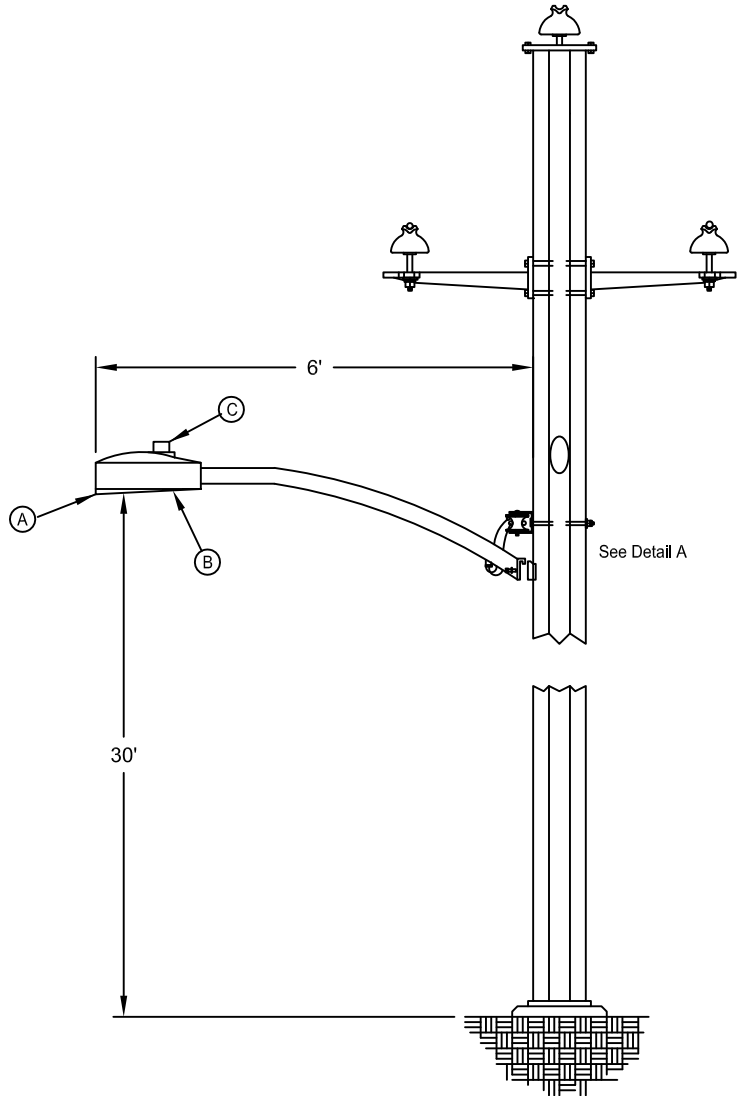


Detail A

Tank grounding lug #5935-234251 threaded into 1/2-13nut welded to pole



NOTES

- (1) Level luminaire in accordance with manufacturer's instruction.
- (2) Neutral must be connected to pole, see detail A.
- (3) Only for 120-277V circuit.

REFERENCES

- (1) See DS-12-1.0 Lamp and Photo Control Identification

Base Material List			
Item	Quan.	Description	Stock #
A	1	250W HPS Luminaire	0000-005649
B	1	250W HPS Lamp	6240-312717
D	1	6' Steel Pole Street Light Bracket	9950-000944
G	2	1/2" Lockwasher	5310-156228
H	2	1/2" x 1 1/2" Machine Bolt	5306-148486
J	1	Transformer Ground Lug	5935-234251
Material List with Photo Control			
C	1	105-305V Photo Control	0000-000516
E	8'	#8 Black THW Wire	6145-000292
F	8'	#8 White THW Wire	6145-000334
Material List without Photo Control			
C	1	Shorting Cap	7000-192500
E	16'	#8 Black THW Wire	6145-000292