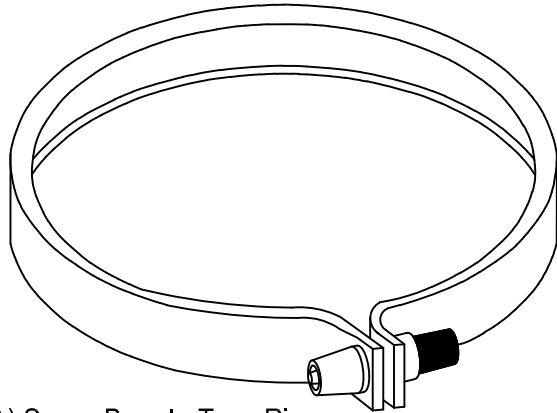
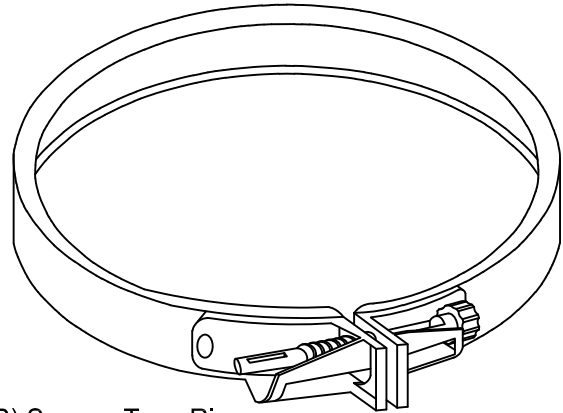


APPROVED



(A) Screw Barrel - Type Ring

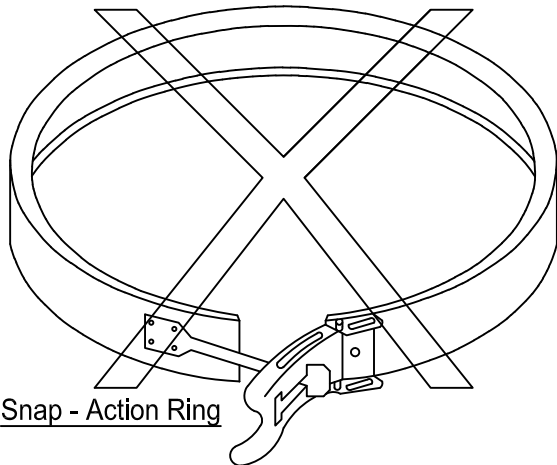
APPROVED



(B) Screw - Type Ring

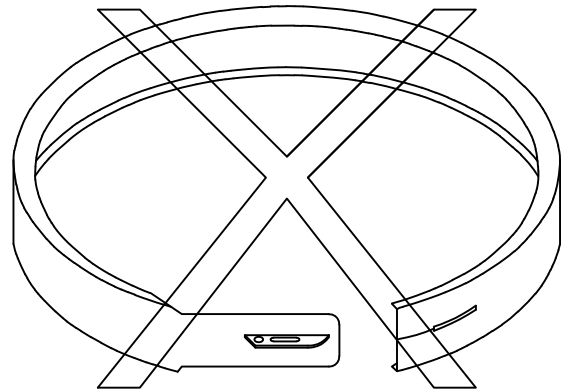
**MAINTENANCE
ONLY**

DISAPPROVED



(C) Snap - Action Ring

DISAPPROVED



(D) Slip - Lock Ring

NOTES

- (1) Type A socket ring 7000-480450 is approved for use on PNM's system.
- (2) Type C has been disapproved due to installation problems, effective 08/01/11. Type D has been disapproved due to installation problems, effective 01/01/88.

Approved Equipment		
Manufacturer	Item	Mtg Part #
Brooks	Socket Ring	10-9090
DeWalch	Socket Ring	2221-1

For ease of checking service without interruption, PNM will no longer allow ring meter sockets as of 12/01/2013.