

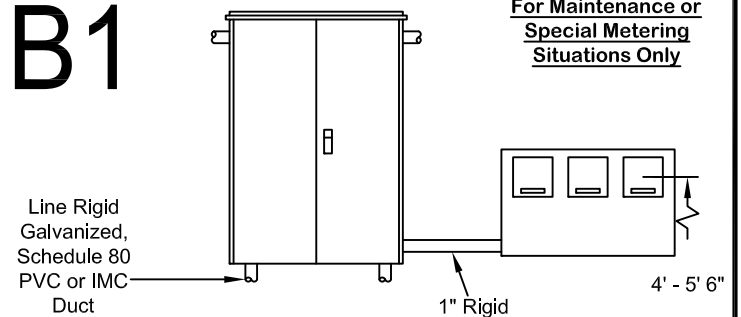
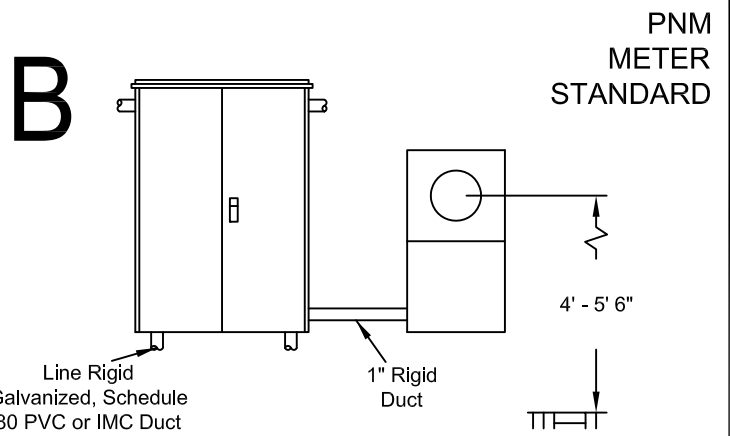
Table A

Allowed # of Ducts	Maximum Conductors Size
2	750 kcmil
3	500 kcmil
4	Not Allowed
Maximum Four Conductors Per Duct	

All conduits or nipples exiting a CT enclosure will be the same size as the entrance conduits without exception

NOTES

- (1) MS-3-2.0 Double-Window Three-Phase Instrument Transformer and Meter Enclosure
- (2) Must be used when main switch is 200A or less.
- (3) Use one only of four load options.
- (4) Must have 3/4" plywood backing inside enclosure.
- (5) Coordinate duct size with PNM (line ducts).
- (6) Line and load options shall be on different quarter section.

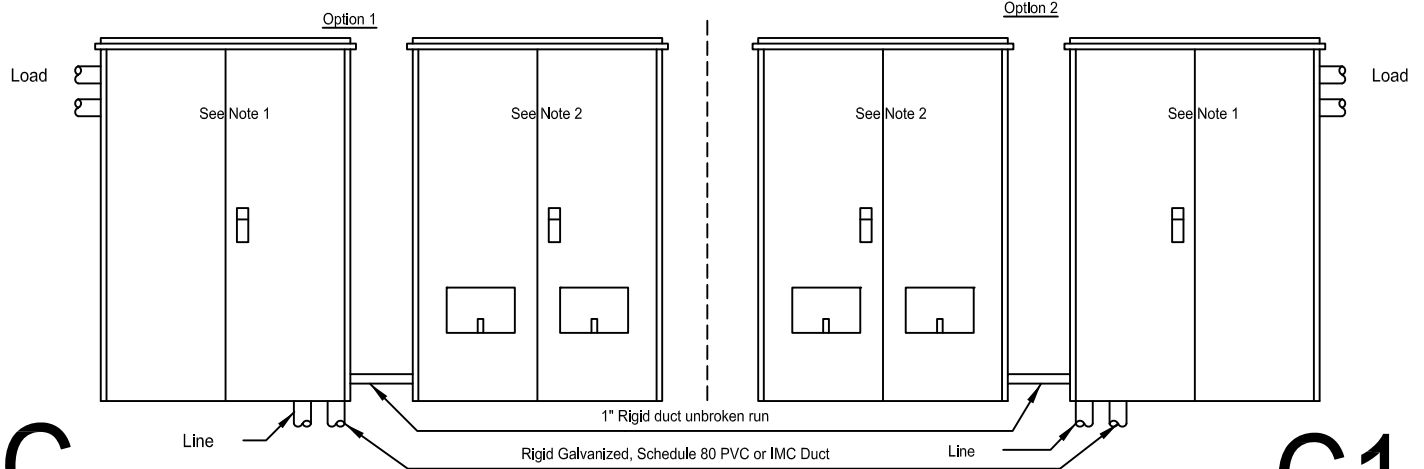


NOTES

- (1) MS-2-7.0 Three-Phase Thirteen-Terminal for CT Meter
- (2) MS-3-3.0 Recording Meter Instrument Transformer Enclosure
- (3) MS-3-4.0 Triplex Meter Enclosure
- (4) Conductor size may not exceed a single run of 750 MCM.
- (5) Load and load options shall be on different quarter section.
- (6) Must have 3/4" plywood backing inside enclosure.
- (7) Coordinate duct size with PNM (line ducts).
- (8) Must be used when main switch is larger than 100A.

Important:

Socket shall be wired phase 1-2-3 from left to right and the conductors marked as such. Each conductor phase will be identified at the weather head or padmount, and at the meter base using band-wraps of electrical tape: one band for phase one, two bands for phase two, and three bands for phase three. White tape is suitable for neutral conductors only.



NOTES

- (1) MS-3-3.0 Recording Meter Instrument Transformer Enclosure
- (2) MS-3-4.0 Triplex Meter Enclosure
- (3) Both enclosures must be used when parallel conductors exceeds 350MCM and shall not exceed 750MCM parallel conductors per phase.
- (4) Only option C or option C1 can be used due to space. Ducts must enter and leave per drawing above.
- (5) 1" rigid duct installed by contractor, shall not exceed 30' and shall be continuous run of duct/wire containing no condulets.
- (6) Must have 3/4" plywood backing inside enclosure.
- (7) All enclosures (drawings A, B and C) shall be securely mounted to building.
- (8) Coordinate duct size with PNM (line ducts).