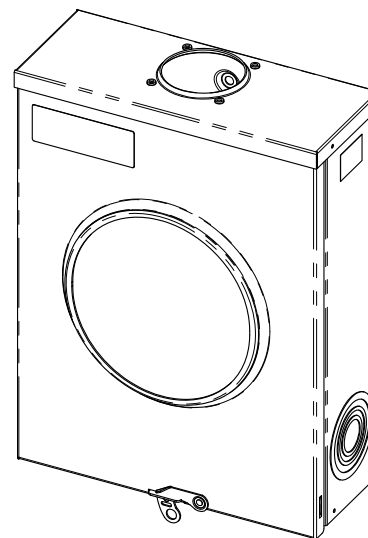
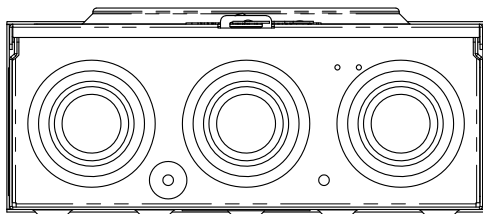


Allowable Uses

- 120/240 V
Permanent/Temporary
Services ONLY



NOTES

- (1) Socket to be Underwriters Laboratory (UL) listed.
- (2) Connections for terminating service conductors shall be the lay-in type lug.
- (3) Service conduit to enter at point "A"
- (4) Meter shall be 4' - 5' 6" from finished grade.
- (5) Commercial application for non-critical loads i.e. sprinkler control and gates. PNM will allow socket without bypass handle.
- (6) PNM does not permit a trough ahead of meter socket.
- (7) Metering and instrument cabinets shall not be used to house Customer-owned equipment, such as distribution panels or other equipment, nor used as a junction box/trough for the distribution of circuits.
- (8) Customer building numbers must be permanently painted on proper meter panels.

REFERENCES

- (1) See DS-4-6.0 120/240V Underground Service Pole
- (2) See DS-4-8.0 Overhead Permanent/Temporary Single-Phase or Temporary Three-Phase Service Pole
- (3) See DS-4-9.0 Underground Residential Customer-Owned Service
- (4) See DM-4-11.0 Maximum Available Fault Current
- (5) See MS-3-7.0 Over 320A 240V Single-Phase Meter

Approved Equipment		
Manufacturer	Item	Mfg Part #
Eaton	200A OH Ringless Socket	UTRS202BCH
Eaton	200A OH/UG Ringless Socket	UTRS212BCH
Eaton	200A OH/UG Ringless Socket	UTRS213BE
Milbank	200A OH Ringless Socket	U7021-RL-TG
Milbank	200A OH Ringless Socket	U7040-RL-TG
Milbank	200A OH/UG Ringless Socket	U7040-XL-TG
Milbank	200A OH/UG Ringless Socket	U4801-XL-5T9
Milbank	200A OH/UG Ringless Socket	U8173-XL-KK-BLG
Siemens	200A OH Ringless Socket	SUAT317-0G
Siemens	200A OH Ringless Socket	UAT317-0G
Square D	200A OH Ringless Socket	UTRS202B
Square D	200A OH/UG Ringless Socket	UTH5213T
	(5th Jaw to be removed)	
Square D	200A OH/UG Ringless Socket	UTH7213T
Talon	200A OH Ringless Socket	UAT417-XGF

For ease of checking service without interruption, PNM will no longer allow ring meter sockets as of 12/01/2013.

240V 200A Customer Overhead or Underground
Single-Phase Meter Socket

MS-2-2.5