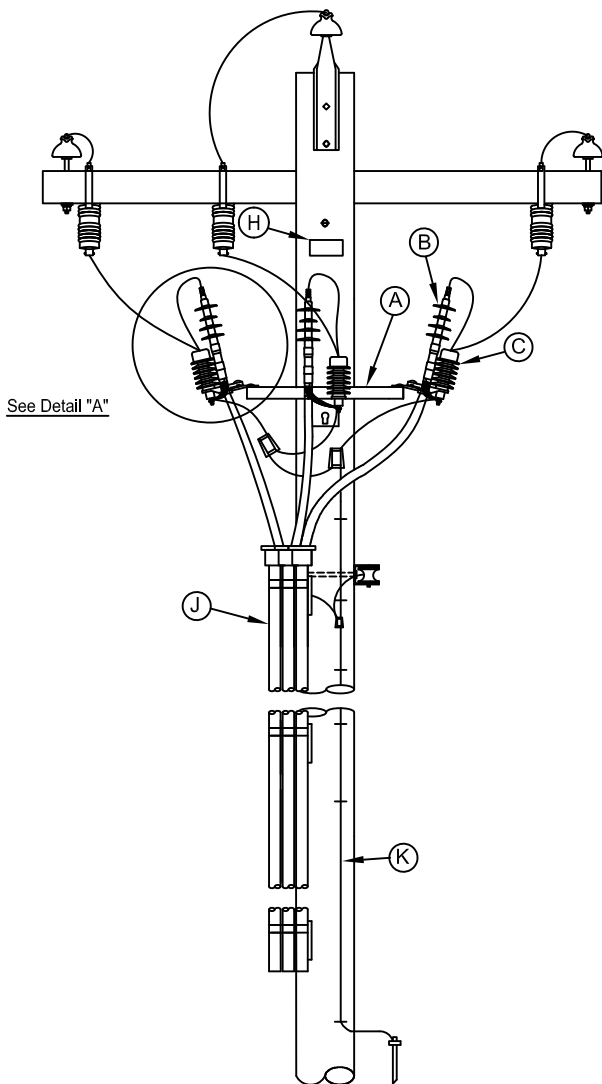
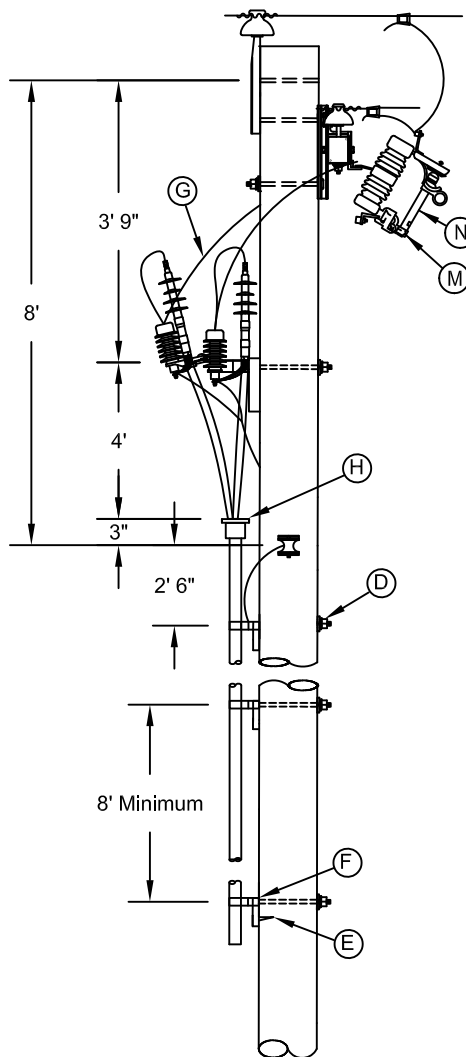


Detail "A"



See Detail "A"



NOTES

- (1) Design is for 1/0 cable only.
- (2) Terminator bracket must be grounded.
- (3) A minimum distance of 8' is required from the lowest standoff bracket to the next upper standoff bracket.
- (4) #4 CU solid 600V covered wire shall be treated as an energized bare wire.
- (5) Preferred riser location to be within 90 degrees of the system neutral.
- (6) Apply 3 wraps minimum of self-fusing silicone tape (70 tape, 5970-252572) to exposed terminator fittings.
- (7) Design is not Raptor Safe.

REFERENCES

- (1) See DS-18-20.0 Ground Assembly
- (2) See DS-18-22.0 Universal Support Brackets
- (3) See DS-18-24.0 Connector Lug Terminations
- (4) See DS-18-99.0 Ampact Wire Chart

Material List

Item	Quan.	Description	Stock #
A	1	Small Terminator Bracket	7000-131580
B	3	___ kV Outdoor Terminator	5975-
C	3	___ kV Riser Pole Arrester	5920-
D	4	Bolt Hardware Assembly	DS-18-21.0
E	4	1/2" x 4" Lag Screw	7000-133625
F	3	24" T-Slot Standoff Bracket	7000-470380
G	24	#4 Covered Copper Wire	0000-001150
H	3	2" Cable Support	5975-264200
J	90	2" Schedule 80 PVC	7000-470380
K	1	Ground Assembly	7000-460620
L	1	Fuse Plate	DS-18-20.0
M	3	___ kV Cutout	9999-001986
N	3	___ Fuse Link	0000-001150
P	1	Three-Phase Tangent and Small Angles	5925-230921

200 Amp Tangent Riser
Three-Phase 1/0, Three 2" Conduits

DS-10-6.4.5